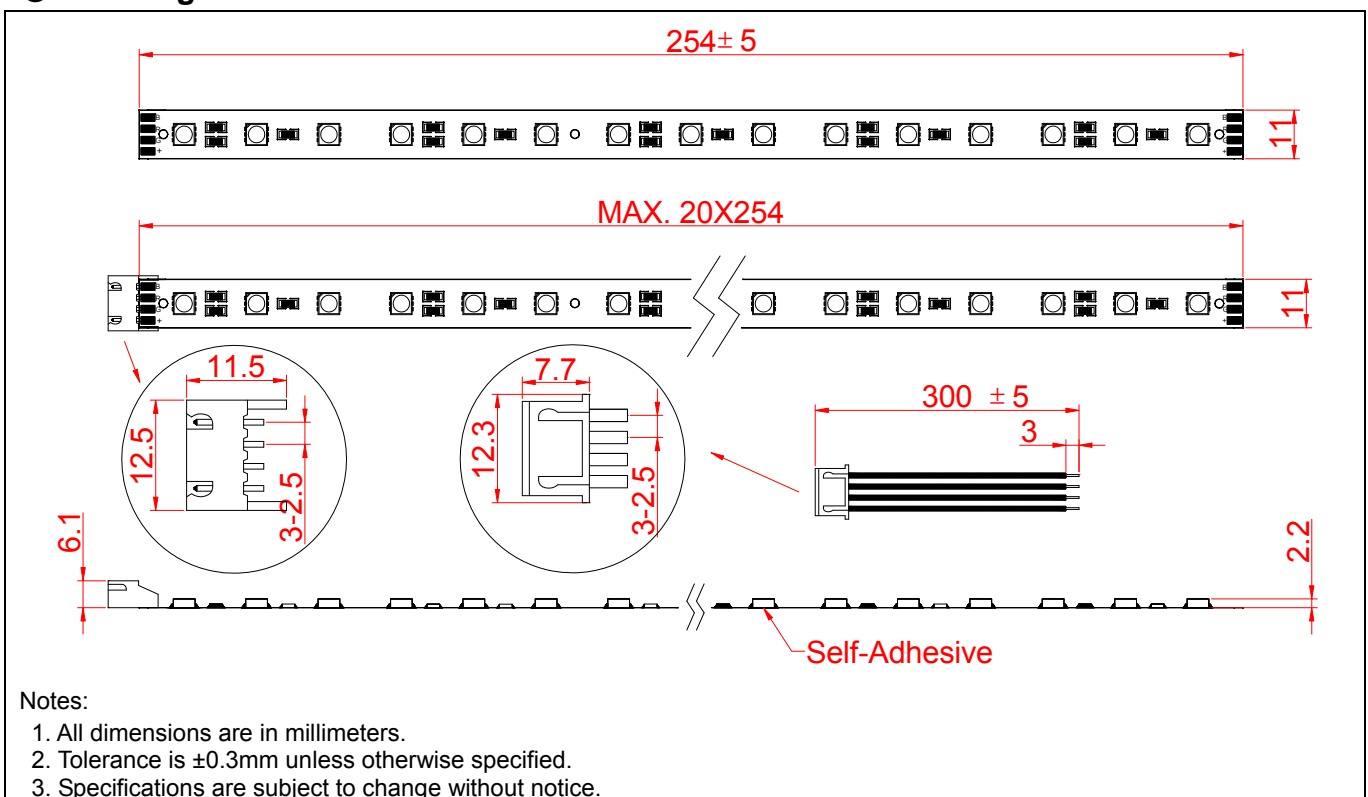


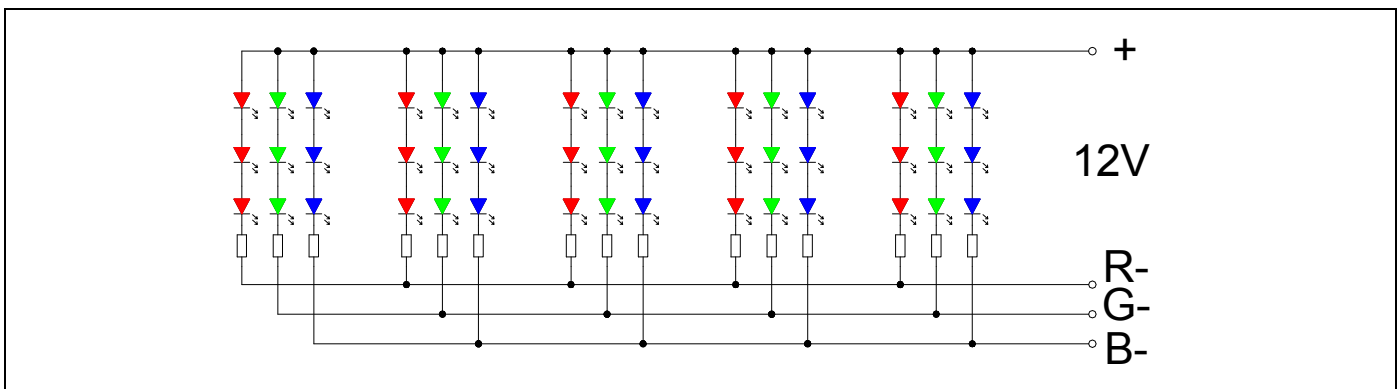
● Features:

1. Emitted Color : Red、Green、 Blue
2. LED : Super Bright Top LED
3. Powered From A Regulated 12VDC
4. No Ultraviolet (UV) Or Infrared (IR) In Beam
5. For Indoor Applications
6. Low Power Consumption.
7. Self-Adhesive Backing Tape

● Package Dimensions



● Circuit Diagram



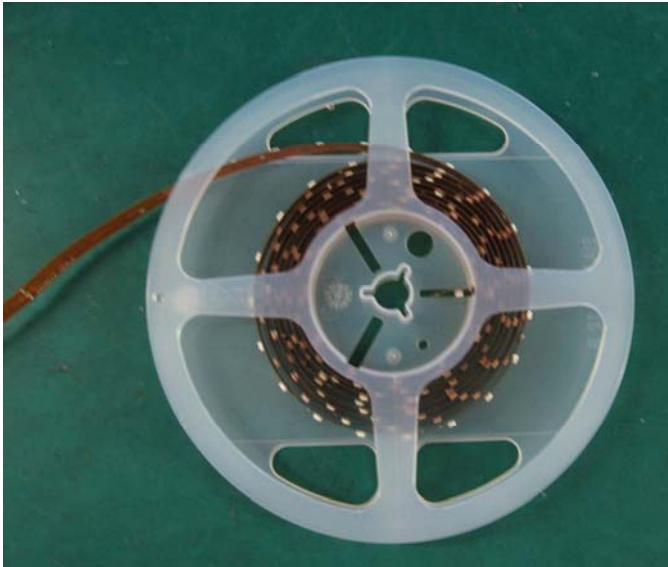
● **Absolute Maximum Ratings(Ta=25°C)**

Parameter	Symbol	Rating	Unit
Power Dissipation	Pd	5	W
Vcc	Vcc	13	V
Reverse Voltage	V _R	15	V
Operating Temperature	Topr	-25°C~60°C	
Storage Temperature	Tstg	-30°C~85°C	

● **Electrical And Optical Characteristics(Ta=25°C)**

Parameter	Symbol	Condition	Min.	Typ.	Max.	Unit	
Forward Current	I _F	Vcc=12V	225	300	350	mA	
Reverse Current	I _R	V _R =15V	-	-	300	μA	
Viewing Angle	Θ _{1/2}	Vcc=12V	-	120	-	deg	
Blue	Wavelength	λD	Vcc=12V	-	470	-	nm
Green				-	525	-	
Red				-	624	-	
Blue	Luminous Intensity	I _v	Vcc=12V	-	2000	-	mcd
Green				-	4500	-	
Red				-	2000	-	

● Product Packaging Picture



Φ 180X15
20PCS in the reel



212X212X1.4
one reel in the bag



220X210X75
4 reels in the box