

● **Product Picture/产品外观图片**



● **Features/产品特性描述**

1. Emitted Color/发光颜色: Red/红、Green/绿、Blue/蓝.
2. Super energy saving and environmental protection/非常节能和环保.
3. Choices of luminous intensities for indoor application/选择的发光强度适合于室内应用.
4. Waterproof grade/防水等级:IP54.
5. High reliability and long life /高可靠性, 长寿命.

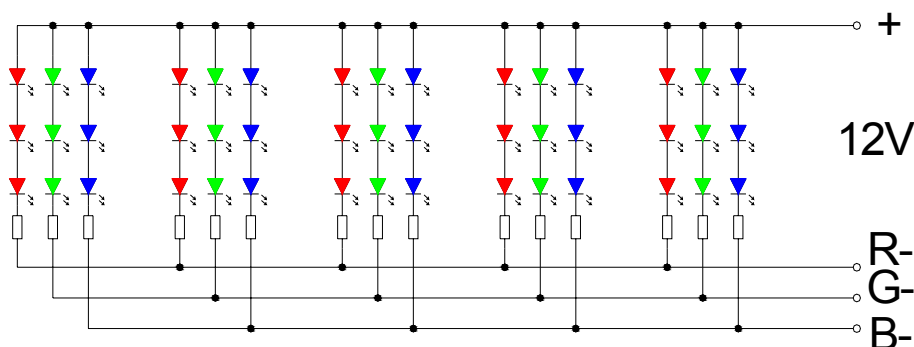
● **Absolute Maximum Ratings /产品的极限使用条件**

Parameter /项目 Sy	mbol /代码	Rating /范围			Unit
		Min./最小值	Typ./标准值	Max./最大值	
Input Voltage DC /输入电压	V <sub>in</sub>	11	12	13	V
Input Current DC/输入电流	I(rms)	-	0.27	0.3	A
Operating Tem./工作温度	T <sub>a</sub>	-25	25	50	°C
Operating Hum./相对湿度	H <sub>a</sub>	5%-95%(No Water/不结露)			-
Storage Tem./存储温度	T <sub>s</sub>	-30~65			°C

● **Electrical and optical characteristics (Ta=25°C) /产品的电气及光电参数**

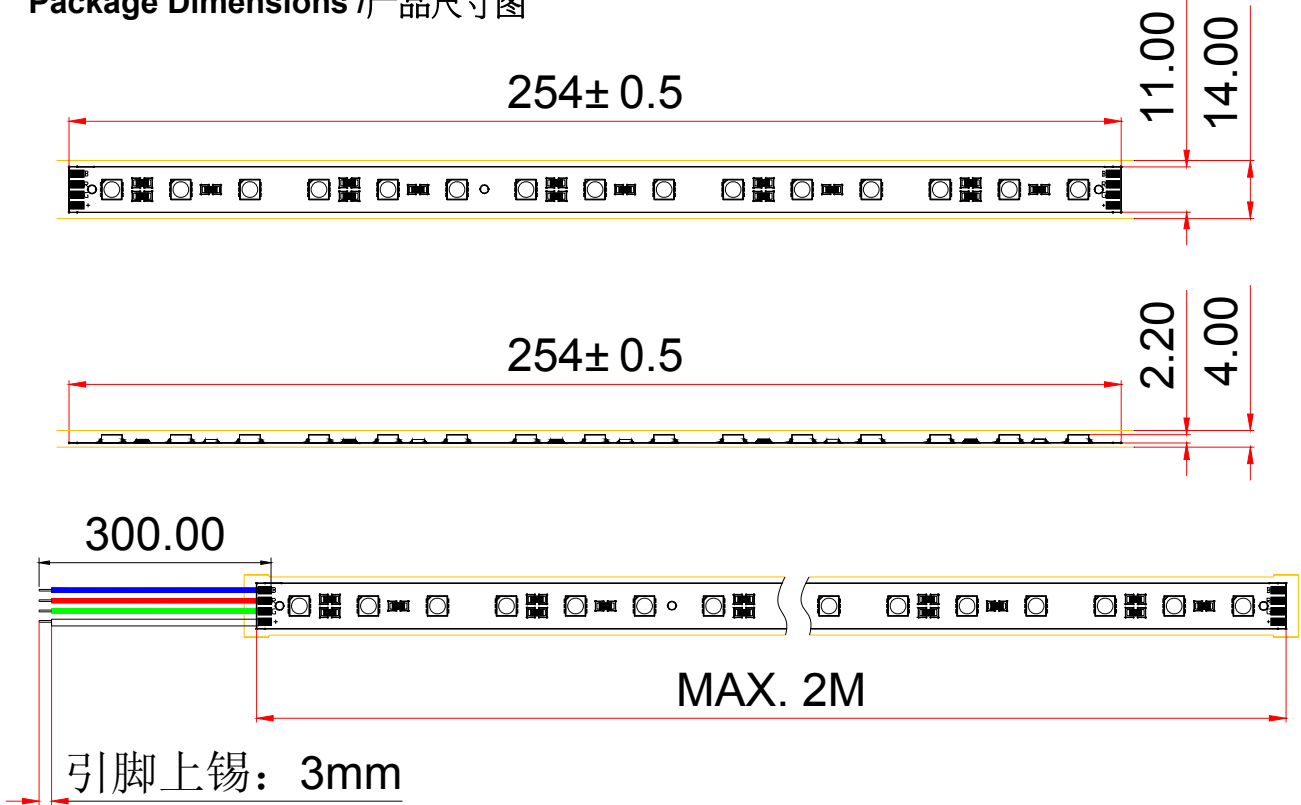
Parameter /项目	Condition /条件	Sy mbol /代码	Min. /最小值	Typ./标准值	Max./最大值	Unit
Power Dissipation /功率	V <sub>in</sub> =12V	P <sub>d</sub>	-	3.5	4	W
Luminous Flux /光通量	V <sub>in</sub> =12V	IV(R)	-	45	-	Lm
		IV(B)	-	11	-	Lm
		IV(G)	-	51	-	Lm
Color Temperature /色温	V <sub>in</sub> =12V	C.T.(R)	620	625	630	nm
		C.T.(B)	465	470	475	nm
		C.T.(G)	520	525	530	nm
Viewing Angle /发光角度	V <sub>in</sub> =12V	θ	-	120	-	Deg

● **Circuit Diagram/产品线路图**





● Package Dimensions /产品尺寸图



Notes /备注:

1. All dimensions are in millimeters. /所有的尺寸单位为 mm.
2. Tolerance is ±0.5 mm unless otherwise specified. /默认的尺寸公差为±0.5 mm.
3. Specifications are subject to change without notice. /产品外形若有变更, 恕不特别通知.

● Product Packaging Picture/产品包装图



212X212X1.4

one reel in the bag

1 卷/包



220X210X75

four bags in the box

4 包/盒