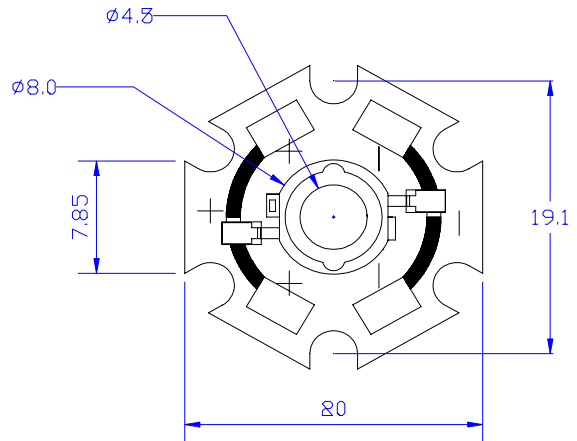




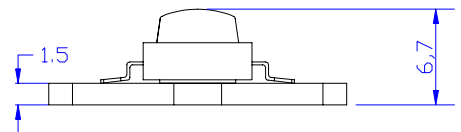
**Features :**

- Highest Flux
- High reliability and Very long operating life (up to 100K hrs)
- Low voltage DC operated
- More Energy Efficient than Incandescent and most Halogen lamps
- NO UV
- Superior ESD protection
- RoHS Compliant



**Typical Applications :**

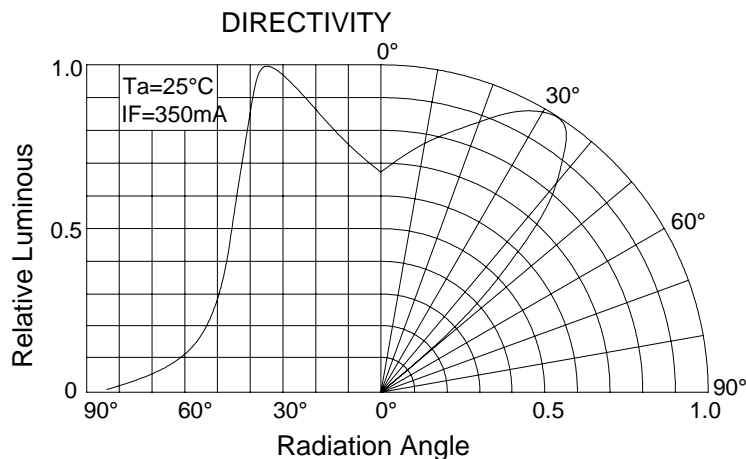
- Reading lights (car, bus, aircraft)
- Portable (flashlight, bicycle)
- Automotive Exterior (Stop-Tail-Turn, CHMSL, Mirror Side Repeat)
- Decorative



**NOTE:**

- All dimensions are millimeters.
- Tolerance is  $\pm 0.25\text{mm}$  unless noted

**BATWING**





**Absolute maximum ratings ( Ta = 25 )**

Parameter	Symbol	Test Condition	Value		Unit
			Min.	Max.	
DC Forward Current	IF	----	----	350	mA
Peak Pulse Current	Ipeak	Duty=0.1mS , 1kHz	----	500	mA
Power Dissipation	Pd	----	----	1.20	W
LED Junction Temperature	Tj	----	----	120	
Operating Temperature	Topr	----	-25	+100	
Storage Temperature	Tstr	----	-40	+120	
ESD Sensitivity	---	HBM	8000	---	V
Soldering Temperature	---	----	260 for 5 Seconds max		

**Electrical and optical characteristics ( Ta = 25 )**

Parameter	Symbol	Test Condition	Value			Unit
			Min.	Typ.	Max.	
Forward Voltage	VF	IF = 350mA	----	2.6	3.5	V
Luminous Flux	v		30	40	----	lm
Viewing Angle	2 1/2		----	90	----	Deg.
Dominant Wavelength	d		585	----	595	nm

**Luminous Flux Bins ( Ta = 25 ) Unit: lm**

Bin	G	H
Min	30	40
Max	40	50

**Note**

- 1 . Flux is measured with an accuracy of ±15%
- 2 . CCT is measured with an accuracy of ± 200K
- 3 . Dominant Wavelength is measured with an accuracy of ± 1.5nm
- 4 . Forward Voltage is measured with an accuracy of ± 0.15V