

Part No.. %\$J5 @/&<K ' 7

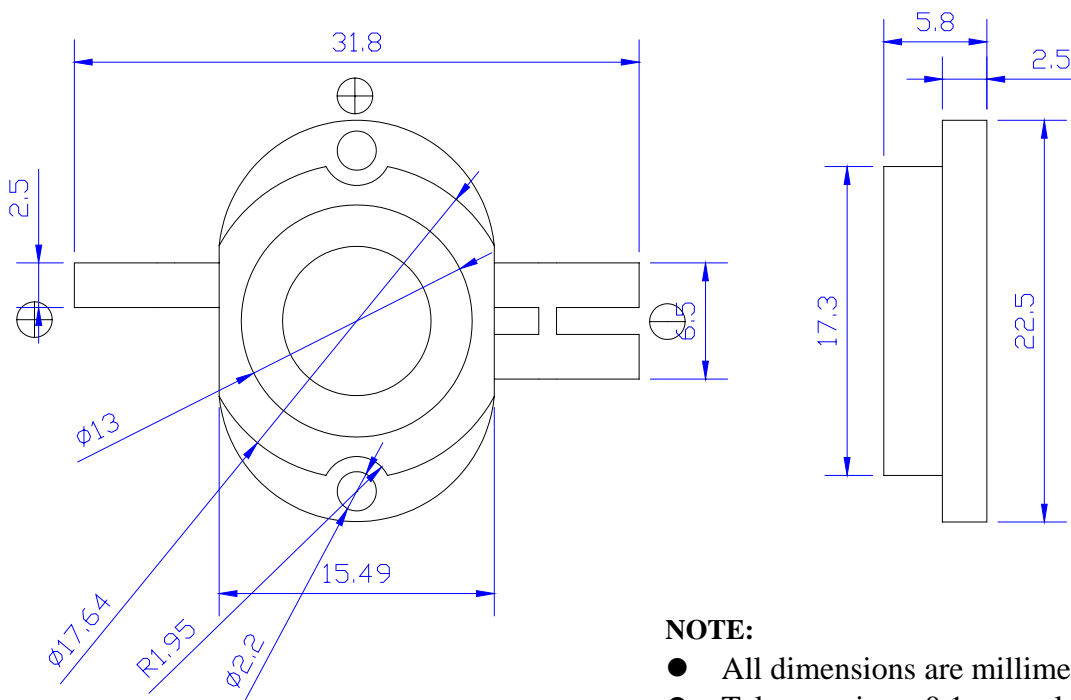
Features :

- Highest Flux
- High reliability and Very long operating life
- Low voltage DC operated
- More Energy Efficient
- RoHS Compliant

Typical Applications :

- Lighting
- Portable
- Automobile
- Decorations

Package Outlines: (Unit: mm)



NOTE:

- All dimensions are millimeter.
- Tolerance is ± 0.1 mm unless noted

Part No. 5050-K7

Absolute maximum ratings (Ta = 25)

Parameter	Symbol	Test Condition	Value		Unit
			Min.	Max.	
DC Forward Current	IF	----	----	700	mA
Power Dissipation	Pd	----	----	10	W
Operating Temperature	Topr	----	-25	+85	
Storage Temperature	Tstr	----	-40	+100	
ESD Sensitivity	---	HBM	8000	---	V

Electrical and optical characteristics (Ta = 25)

Parameter	Symbol	Test Condition	Value			Unit
			Min.	Typ.	Max.	
Forward Voltage	VF		13	14.2	16	V
Luminous Flux	v	IF = 700mA	360	400	----	lm
Viewing Angle	2 1/2		----	120	----	Deg.
Color Temperature	CCT		----	3300	----	K

Luminous Flux Bins (Ta = 25)

Unit: lm

Bin	X	Y	Z
Min	360	400	450
Max	400	450	500

CCT Bins (Ta = 25)

Unit: K

Bin	W0	W1	W2
Min	----	3000K	3300K
Max	3000	3300K	3600K