



Part No.: **G°&DK * 7 !6**

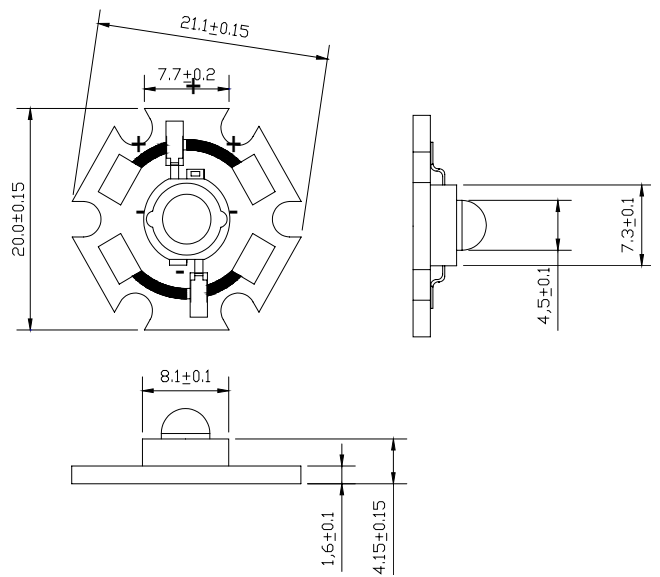


Features:

- Highest Flux White
- High reliability and Very long operating life
- Low voltage DC operated
- More Energy Efficient
- NO UV
- Superior ESD protection
- RoHS Compliant

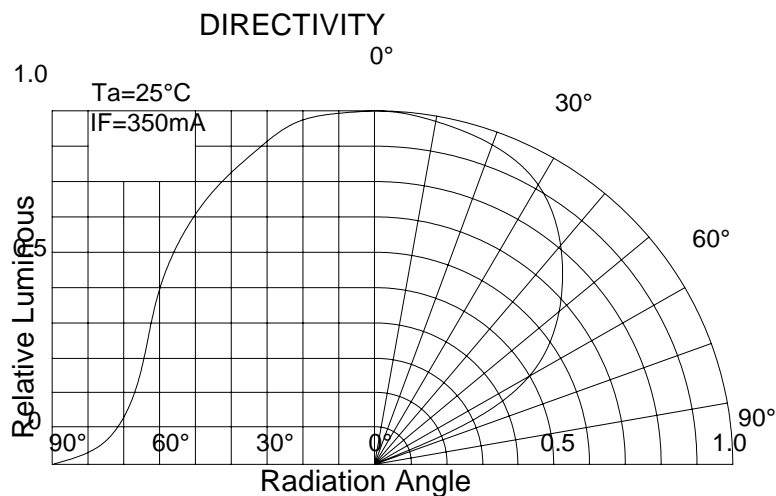
Typical Applications:

- Reading lights
- Portable
- Automotive Exterior
- Decorative



NOTE:

- All dimensions are millimeter.
- Tolerance is ± 0.1 mm unless otherwise noted





Part No.: G°&DK * 7 !6

Absolute maximum ratings (Ta = 25°C)

Parameter	Symbol	Test Condition	Value		Unit
			Min.	Max.	
DC Forward Current	IF	----	----	350	mA
Peak Pulse Current	Ipeak	Duty=0.1ms, 1kHz	----	500	mA
Power Dissipation	Pd	----	----	1.25	W
LED Junction Temperature	Tj	----	----	120	°C
Operating Temperature	Topr	----	-25	+80	°C
Storage Temperature	Tstr	----	-25	+100	°C
ESD Sensitivity	----	HBM	8000	----	V
Soldering Temperature	----	----	260°C for 5 Seconds max		

Electrical and optical characteristics (Ta = 25°C)

Parameter	Symbol	Test Condition	Value			Unit
			Min.	Typ.	Max.	
Forward Voltage	VF	IF = 350mA	3	3.4	4.0	V
Luminous Flux	Φv		----	85	----	lm
Viewing Angle	2 θ 1/2		----	120	----	Deg.
Color Temperature	CCT		4500	----	----	K

Luminous Flux Bins (Ta = 25°C)

unit: lm

Bin	L	M
Min	70	80
Max	80	100

CCT Bins (Ta = 25°C)

unit: K

Bin	W5	W6	W7	W8	W9	W10
Min	4500	5000	5600	6300	7000	8000
Max	5000	5600	6300	7000	8000	9000