



LED SPECIFICATION

Part No. : G°&@F &7

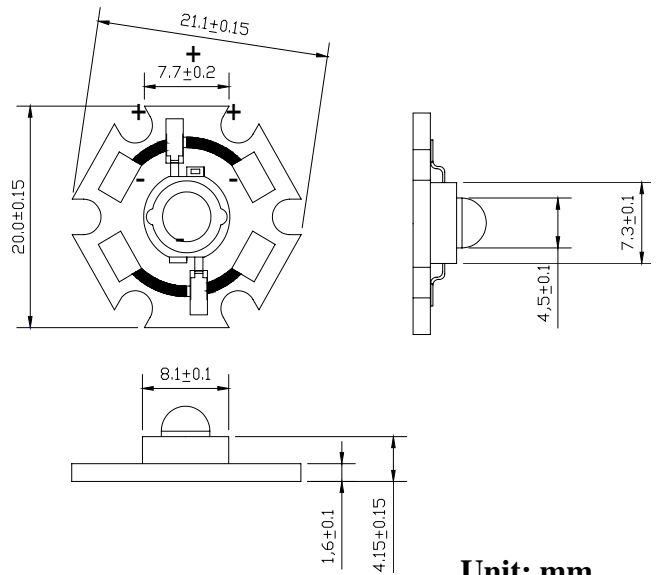


Features:

- Highest Flux Red
- High reliability and Very long operating life
- Low voltage DC operated
- More Energy Efficient
- NO UV
- Superior ESD protection
- RoHS Compliant

Typical Applications:

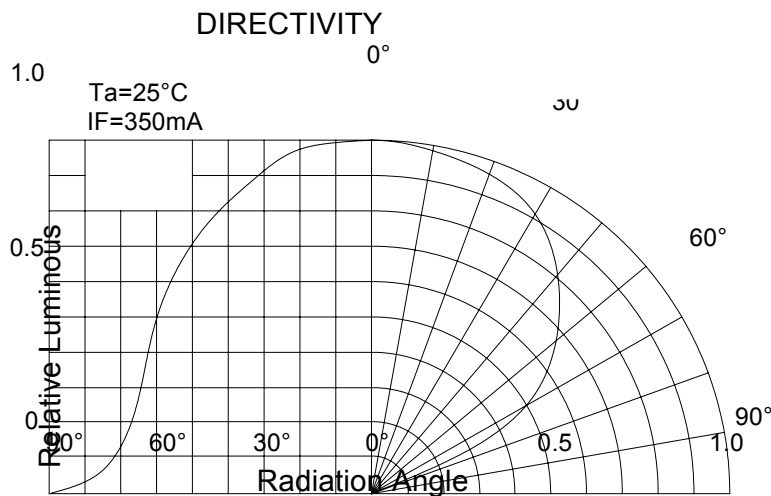
- Reading lights
- Portable
- Automotive Exterior
- Decorative



Unit: mm

NOTE:

- All dimensions are millimeter.
- Tolerance is ± 0.1 mm unless otherwise noted





Absolute maximum ratings (Ta = 25°C)

Part No.: G08F87

Parameter	Symbol	Test Condition	Value		Unit
			Min.	Max.	
DC Forward Current	IF	----	----	350	mA
Peak Pulse Current	Ipeak	Duty=0.1mS, 1kHz	----	500	mA
Power Dissipation	Pd	----	----	0.98	W
LED Junction Temperature	Tj	----	----	120	°C
Operating Temperature	Topr	----	-25	+100	°C
Storage Temperature	Tstr	----	-40	+120	°C
ESD Sensitivity	---	HBM	8000	----	V
Soldering Temperature	---	----	260°C for 5 Seconds max		

Electrical and optical characteristics (Ta = 25°C)

Parameter	Symbol	Test Condition	Value			Unit
			Min.	Typ.	Max.	
Forward Voltage	VF	IF = 350mA	----	2.5	3	V
Luminous Flux	Φv		30	----	----	lm
Viewing Angle	2θ 1/2		----	120	----	Deg.
Dominant Wavelength	λd		620	----	630	nm

Luminous Flux Bins (Ta = 25°C)

Unit: lm

Bin	G	H
Min	30	40
Max	40	50

Dominant Wavelength- λd (Ta = 25°C)

Unit: nm

Bin	A	V	O	U
Min	600	610	620	630
Max	610	620	630	640