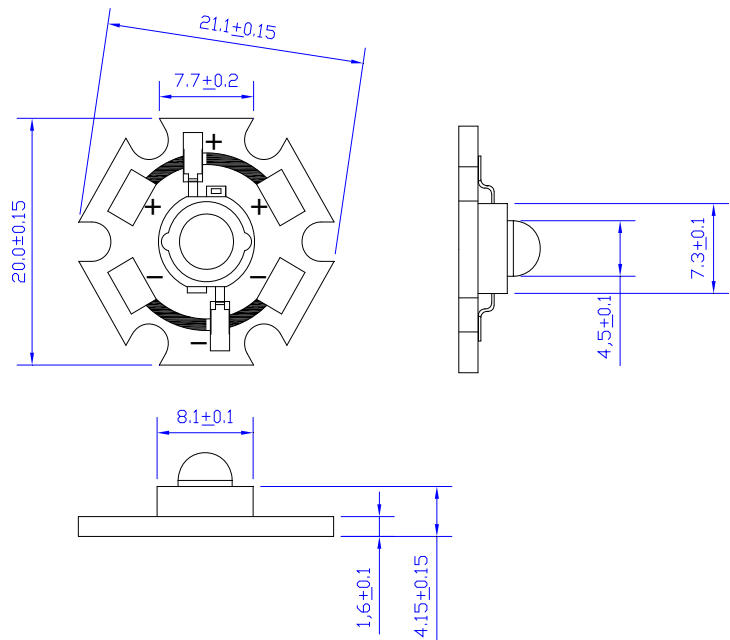


Part No.: S12N3W6C

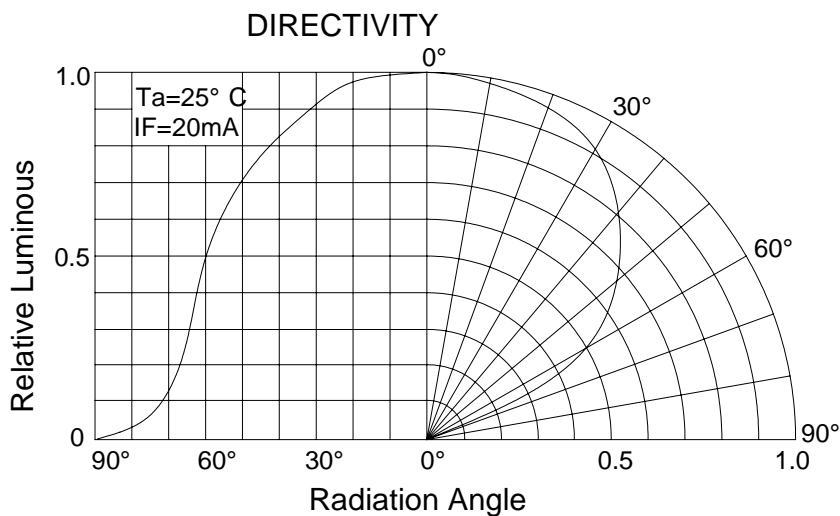
Features:

- Highest Flux White
- High reliability and Very long operating life
- Low voltage DC operated
- More Energy Efficient
- NO UV
- Superior ESD protection
- RoHS Compliant



Typical Applications:

- Reading lights
- Portable
- Automotive Exterior
- Decorative



Unit: mm

Part No.: S12N3W6C

Absolute maximum ratings (Ta = 25°C)

Parameter	Symbol	Test Condition	Value		Unit
			Min.	Max.	
DC Forward Current	IF	----	----	700	mA
Peak Pulse Current	Ipeak	Duty=0.1mS, 1kHz	----	1000	mA
Power Dissipation	Pd	----	----	3	W
LED Junction Temperature	Tj	----	----	120	°C
Operating Temperature	Topr	----	-25	+80	°C
Storage Temperature	Tstr	----	-40	+100	°C
ESD Sensitivity	----	HBM	8000	----	V
Soldering Temperature	----	----	260°C for 5 Seconds max		

Electrical and optical characteristics (Ta = 25°C)

Parameter	Symbol	Test Condition	Value			Unit
			Min.	Typ.	Max.	
Forward Voltage	VF	IF = 700mA	3.3	3.8	4.2	V
Luminous Flux	Φv		80	120	----	lm
Viewing Angle	2θ 1/2		----	120	----	Deg.
Color Temperature	CCT		4000	6000	----	K

Luminous Flux Bins (Ta = 25°C) Unit: lm

Bin	L	M	N
Min	80	100	120
Max	100	120	160

CCT Bins (Ta = 25°C)

Bin	W4	W5	W6	W7	W8
Min	4500K	5000K	6000K	7000K	8000K
Max	5000K	6000K	7000K	8000K	10000K