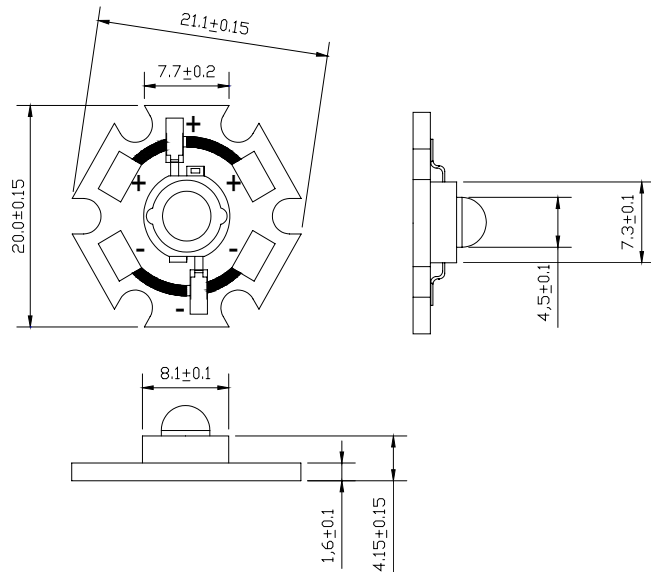


**Part No. : S12LY9C**



**Features:**

- Highest Flux Yellow
- High reliability and Very long operating life
- Low voltage DC operated
- More Energy Efficient
- NO UV
- Superior ESD protection
- RoHS Compliant



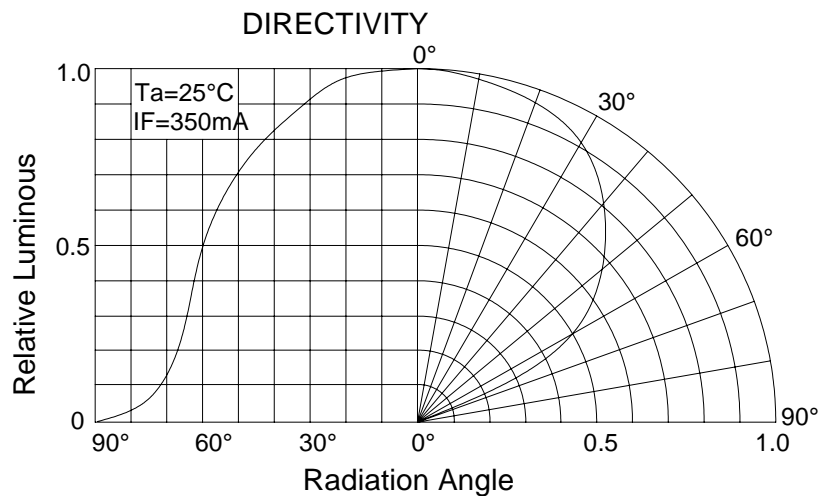
**Typical Applications:**

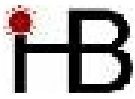
- Reading lights
- Portable
- Automotive Exterior
- Decorative

**Unit: mm**

**NOTE:**

- All dimensions are millimeter.
- Tolerance is  $\pm 0.1$ mm unless otherwise noted





**Part No.: S12LY9C**

**Absolute maximum ratings (Ta = 25°C)**

| Parameter                | Symbol | Test Condition   | Value                   |      | Unit |
|--------------------------|--------|------------------|-------------------------|------|------|
|                          |        |                  | Min.                    | Max. |      |
| DC Forward Current       | IF     | ----             | ----                    | 350  | mA   |
| Peak Pulse Current       | Ipeak  | Duty=0.1mS, 1kHz | ----                    | 500  | mA   |
| Power Dissipation        | Pd     | ----             | ----                    | 0.98 | W    |
| LED Junction Temperature | Tj     | ----             | ----                    | 120  | °C   |
| Operating Temperature    | Topr   | ----             | -25                     | +100 | °C   |
| Storage Temperature      | Tstr   | ----             | -40                     | +120 | °C   |
| ESD Sensitivity          | ---    | HBM              | 8000                    | ---- | V    |
| Soldering Temperature    | ---    | ----             | 260°C for 5 Seconds max |      |      |

**Electrical and optical characteristics (Ta = 25°C)**

| Parameter           | Symbol | Test Condition | Value |      |      | Unit |
|---------------------|--------|----------------|-------|------|------|------|
|                     |        |                | Min.  | Typ. | Max. |      |
| Forward Voltage     | VF     | IF = 350mA     | ----  | 2.5  | 3    | V    |
| Luminous Flux       | Φv     |                | 30    | ---- | ---- | lm   |
| Viewing Angle       | 2θ 1/2 |                | ----  | 120  | ---- | Deg. |
| Dominant Wavelength | λd     |                | 585   | ---- | 595  | nm   |

**Luminous Flux Bins (Ta = 25°C)**

**Unit: lm**

| Bin | G  | H  |
|-----|----|----|
| Min | 30 | 40 |
| Max | 40 | 50 |