

● **Product Picture/产品外观图片**



● **Features/产品特性描述**

1. Emitted Color/发光颜色: Pure White/正白、Warm White/暖白.
2. Lens Appearance/发光体种类: Water Clear/透明.
3. Material of crust /外壳材质: Ground Glass/磨砂玻璃.
4. CE Approved /产品安全规范符合 CE 标准.
5. RoHS Compliant /产品符合欧盟相关 RoHS 法规.
6. Base Type /接口类型: E27.
7. Choices of luminous intensities for indoor application/选择的发光强度适合于室内照明.
8. The useful lifetime of the product is more than 30000 hours/该产品使用寿命超过 30000 小时.

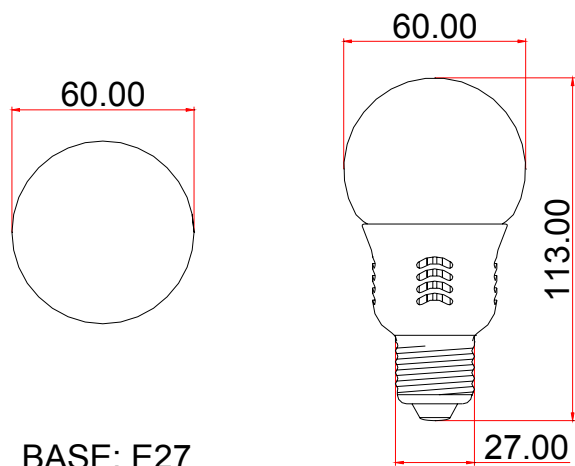
● **Absolute Maximum Ratings /产品的极限使用条件**

Parameter /项目	Symbol /代码	Rating /范围			Unit
		Min./最小值	Typ./标准值	Max./最大值	
Input Voltage AC/输入电压	V _{in}	200	220	240	V
AC Frequency /电压频率	F	-	50	-	Hz
Input Current AC/输入电流	I(rms)	0.027	0.032	0.037	A
Operating Tem./工作温度	T _a	-25	25	50	°C
Operating Hum./相对湿度	H _a	5%-95%(No Water/不结露)			-
Storage Tem./存储温度	T _s	-35~60			°C

● **Electrical and optical characteristics (Ta=25°C) /产品的电气及光电参数**

Parameter /项目	Condition/条件	Symbol /代码	Min. /最小值	Typ./标准值	Max./最大值	Unit
Power Dissipation /功率	V _{in} =220V~,50Hz	P _d	3	3.3	3.6	W
Luminous Flux /光通量	V _{in} =220V~,50Hz	IV(P)	180	200	260	Lm
		IV(W)	150	180	200	Lm
Color Temperature /色温	V _{in} =220V~,50Hz	C.T.(P)	4000	6000	8000	K
		C.T.(W)	3000	3500	4000	K
Viewing Angle /发光角度	V _{in} =220V~,50Hz	θ	-	150	-	Deg

● **Package Dimensions /产品尺寸图**



BASE: E27

Notes /备注:

1. All dimensions are in millimeters. /所有的尺寸单位为 mm.
2. Tolerance is ±0.5 mm unless otherwise specified. /默认的尺寸公差为±0.5 mm.
3. Specifications are subject to change without notice. /产品外形若有变更, 恕不特别通知.