



E12RGB-1W

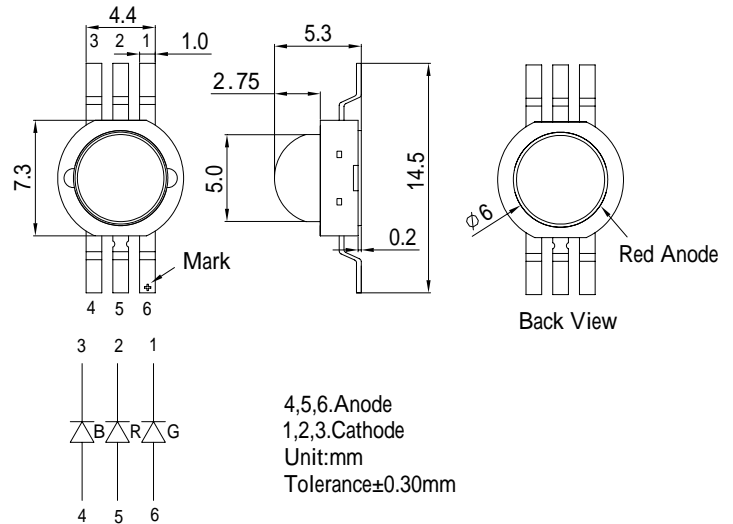
■ **Features**

- Highest Luminous Flux
- Super Energy Efficiency
- Long Lifetime Operation
- Superior ESD protection
- Superior UV Resistance
- Water Clear Type

■ **Applications**

- Mobile Phone Flash
- Automotive Interior/Exterior Lighting / Signal Lighting
- Architectural Lighting
- LCD TV / Monitor Backlight
- Projector Light Source / Traffic Signals / Task Lighting
- Decorative / Pathway Lighting / Household Applications

■ **Outline Dimension**



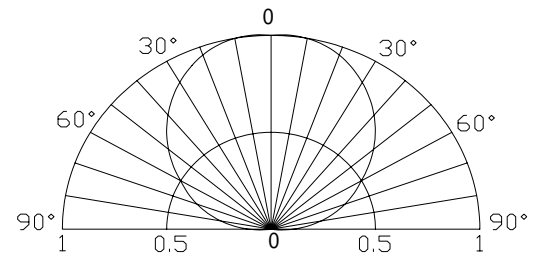
■ **Absolute Maximum Rating**

(Ta=25)

Item	Symbol	Value		Unit
		Red	Green/Blue	
DC Forward Current	I_F	400	400	mA
Pulse Forward Current*	I_{FP}	500	500	mA
Reverse Voltage	V_R	5	5	V
Power Dissipation	P_D	1200	1600	mW
Operating Temperature	T_{opr}	-30 ~ +85		
Storage Temperature	T_{stg}	-40 ~ +100		
Lead Soldering Temperature	T_{sol}	260 /5sec		-

*Pulse width Max.10ms Duty ratio max 1/10

■ **Directivity**



■ **Electrical -Optical Characteristics**

(Ta=25)

Item	Symbol	Condition	Min.	Typ.	Max.	Unit
DC Forward Voltage	$V_F(R)$	$I_F=350mA$	2.0	2.5	3.0	V
	$V_F(B/G)$	$I_F=350mA$	3.0	3.3	4.0	V
DC Reverse Current	I_R	$V_R=5V$	-	-	10	μA
Domi. Wavelength	$\lambda_D(Red)$	$I_F=350mA$	620	625	630	nm
	$\lambda_D(Green)$	$I_F=350mA$	520	525	535	nm
	$\lambda_D(Blue)$	$I_F=350mA$	455	460	465	nm
Luminous Flux	$v(Red)$	$I_F=350mA$	40	50	-	lm
	$v(Green)$	$I_F=350mA$	80	90	-	lm
	$v(Blue)$	$I_F=350mA$	15	20	-	lm
50% Power Angle	$2\theta_{1/2}$	$I_F=350mA$	-	120	-	deg

Note: Don't drive at rated current more than 5s without heat sink for Xeon 1 Power emitter series.