



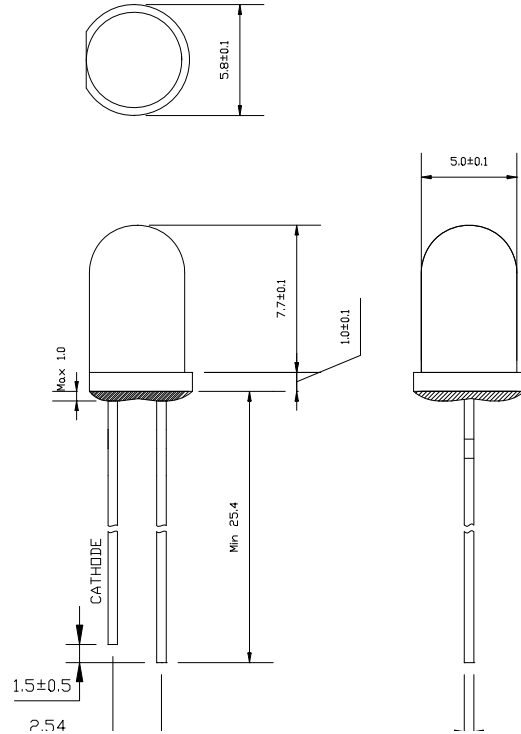
ATTENTION
OBSERVE PRECAUTIONS
FOR HANDLING
ELECTROSTATIC
DISCHARGE
SENSITIVE
DEVICES

Features:

- Single color
- High bright output
- Low power consumption
- High reliability and long life

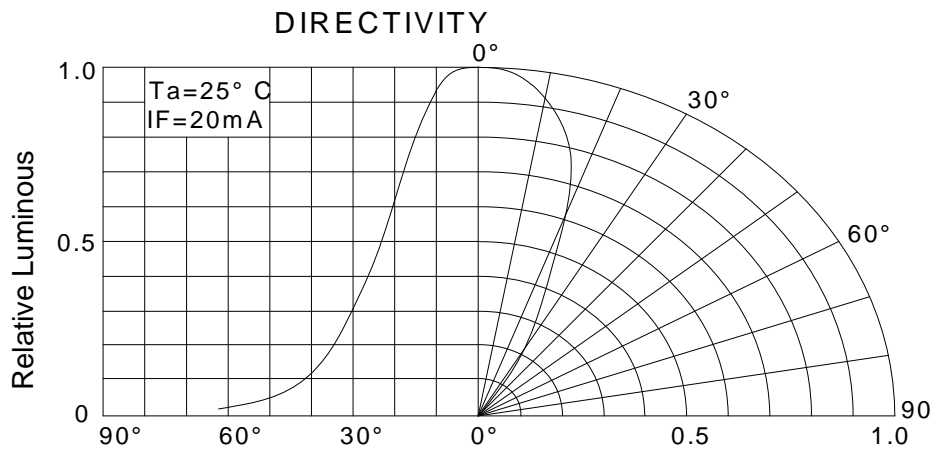
Descriptions:

- Dice material: GaInN
- Emitting Color: λ_k
- Device Outline: ϕ 5mm Round Type
- Lens Type: Water Clear



NOTE:

- All dimensions are millimetres.
- Tolerance is ± 0.25 mm unless otherwise noted





Absolute maximum ratings (Ta = 25°C)

Parameter	Symbol	Test Condition	Value		Unit
			Min.	Max.	
Reverse Voltage	VR	IR = 30 μ A	5	--	V
Forward Current	IF	----	----	30	mA
Power Dissipation	Pd	----	----	108	mW
Pulse Current	Ipeak	Duty=0.1mS, 1kHz	----	100	mA
Operating Temperature	Topr	----	-20	+85	°C
Storage Temperature	Tstr	----	-25	+100	°C

Electrical and optical characteristics (Ta = 25°C)

Parameter	Symbol	Test Condition	Value			Unit
			Min.	Typ.	Max.	
Forward Voltage	VF	IF = 20mA	----	3.2	3.6	V
Reverse Current	IR	VR = 5V	----	----	30	μ A
Luminous Intensity	IV	IF = 20mA	----	4000	----	mcd
Viewing Angle	2 θ 1/2	IF = 20mA	----	50	----	Deg.

Luminous Intensity Bins Chart (Ta = 25°C)

Bin	V	W	X		
Min	2000	3000	4000		
Max	3000	4000	6000		

Color Temperature Bins Char (Ta = 25°C)

Bin	W0	W1	W2	W3	W4	W5
CCT	<3000	3000-3500	3500-4000	4000-4500	4500-5000	5000-6000
Bin	W6	W7	W8	W9	W10	W00
CCT	6000-7000	7000-8000	8000-10000	10000-15000	15000-20000	>20000



Typical electrical/optical characteristic curves:

