



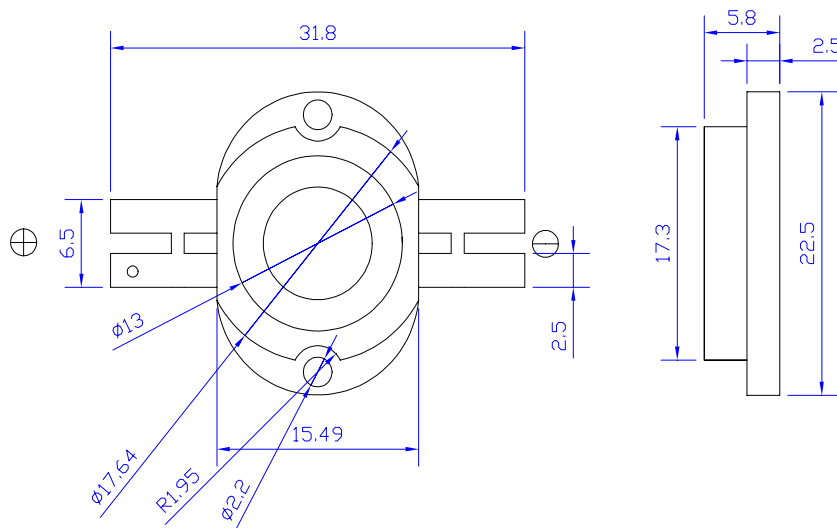
Part No. 20VAL12HW6C

Features :

- Highest Flux
- High reliability and Very long operating life
- Low voltage DC operated
- More Energy Efficient than Incandescent and most Halogen lamps
- NO UV
- Superior ESD protection
- RoHS Compliant

Typical Applications :

- Lighting
- Portable
- Automobile
- Decorations



NOTE:

- All dimensions are millimeter.
- Tolerance is ± 0.1 mm unless otherwise noted.
- It is strongly recommended that the temperature of lead be not higher than 60 .
- The appearance and specifications of the product may be modified for improvement without notice.



Part No. 20VAL12HW6C

Absolute maximum ratings (Ta = 25)

Parameter	Symbol	Test Condition	Value		Unit
			Min.	Max.	
DC Forward Current	IF	----	----	1800	mA
Peak Pulse Current	Ipeak	Duty=0.1mS , 1kHz	----	2800	mA
Power Dissipation	Pd	----	----	25	W
LED Junction Temperature	Tj	----	----	120	
Operating Temperature	Topr	----	-25	+80	
Storage Temperature	Tstr	----	-40	+100	
ESD Sensitivity	----	HBM	8000	----	V
Soldering Temperature	----	----	260 for 5 Seconds max		

Electrical and optical characteristics (Ta = 25)

Parameter	Symbol	Test Condition	Value			Unit
			Min.	Typ.	Max.	
Forward Voltage	VF	IF = 1400mA	12.0	12.8	15.0	V
Luminous Flux	v		----	1050	----	lm
Viewing Angle	2 1/2		----	120	----	Deg.
Color Temperature	CCT		5000	----	8000	K

Luminous Flux Bins (Ta = 25)

Unit: lm

Bin	E2	F2	G2
Min	900	1000	1200
Max	1000	1200	1400

CCT Bins (Ta = 25)

Unit: K

Bin	W6	W7	W8	W9
Min	5000	5600	6300	7000
Max	5600	6300	7000	8000

Note

- 1 . Flux is measured with an accuracy of ±15%
- 2 . CCT is measured with an accuracy of ± 200K
- 3 . Dominant Wavelength is measured with an accuracy of ± 1.5nm
- 4 . Forward Voltage is measured with an accuracy of ± 0.15V