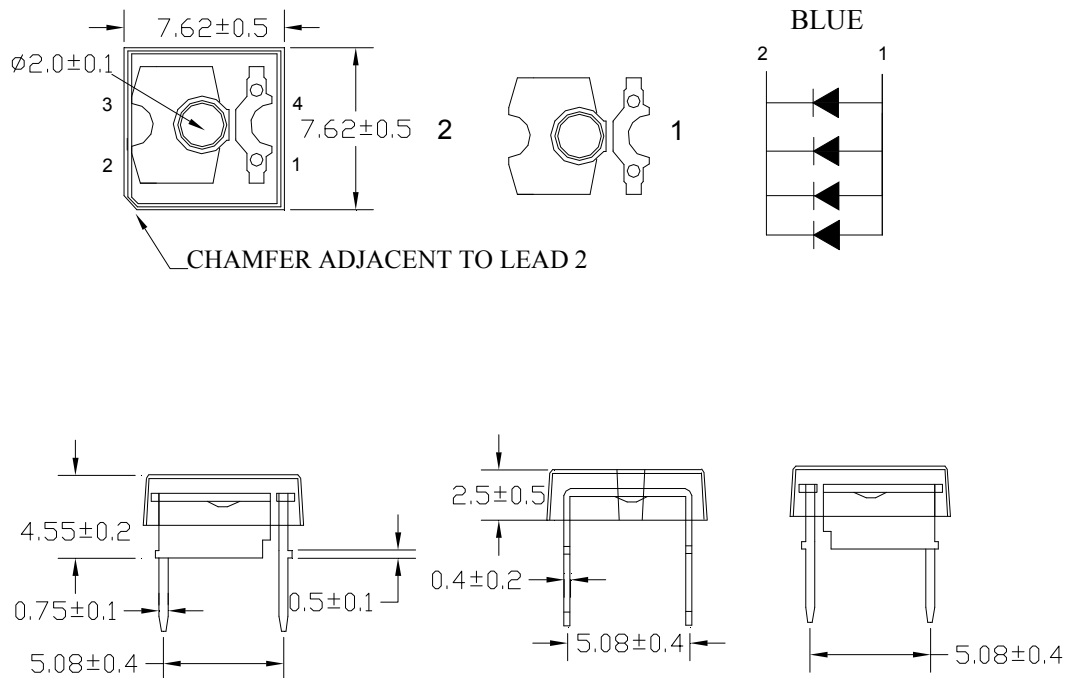


#### ➤ **Fatures/特征:**

- Single color/单色
- High bright output/高亮度输出
- High Current Operation/高工作电流
- Low power consumption/低功耗
- High reliability and long life  
可靠性高、寿命长

#### ➤ **Descriptions:**

- Dice material:  
B: InGaN
- Device Outline: 7.62mmX7.62mm
- Lens Type: White Diffused/无色散射



#### **NOTE:**

1. All dimensions are millimeters/单位: mm.
2. Tolerance is +/-0.25mm unless otherwise noted/  
没有标注的公差均为±0.25mm.

➤ **Absolute maximum ratings/极限参数 (Ta = 25°C)**

Parameter 参数	Symbol 符号	Test Condition 测试条件	Values 数值		Unit 单位
			Min.	Max.	
Reverse Voltage 反向电压	V <sub>R</sub>	I <sub>R</sub> = 30 μ A	5	----	V
Forward Current 正向工作电流	I <sub>F</sub>	----	----	70	mA
Power Dissipation 损耗功率	P <sub>d</sub>	----	----	190	mW
Pulse Current 正向峰值电流	I <sub>peak</sub>	Duty=0.1mS, 1kHz	----	150	mA
Operating Temperature 工作温度范围	T <sub>opr</sub>	----	-40	+85	°C
Storage Temperature 储存温度范围	T <sub>str</sub>	----	-40	+100	°C

➤ **Electrical and optical characteristics/光电参数 (Ta = 25°C)**

Parameter 参数	Symbol 符号	Test Condition 测试条件	Values 数值			Unit 单位
			Min.	Typ.	Max.	
Forward Voltage 正向电压	V <sub>F</sub>	I <sub>F</sub> = 80mA	----	4.0	4.5	V
Reverse Current 反向电流	I <sub>R</sub>	V <sub>R</sub> = 5V	----	----	30	μ A
Dominate Wavelength 主波长	λ <sub>d</sub>	I <sub>F</sub> = 80mA	----	470	----	nm
Peak Wavelength 峰值波长	λ <sub>p</sub>	I <sub>F</sub> = 80mA	----	472	----	nm
Spectral Line half-width 半波长宽度	Δ λ	I <sub>F</sub> = 80mA	----	20	----	nm
Luminous Flux 光通量	I <sub>v</sub>	I <sub>F</sub> = 80mA	1.3	2.0	----	lm

➤ **Typical electrical/optical characteristic curves/光电特性曲线:**

